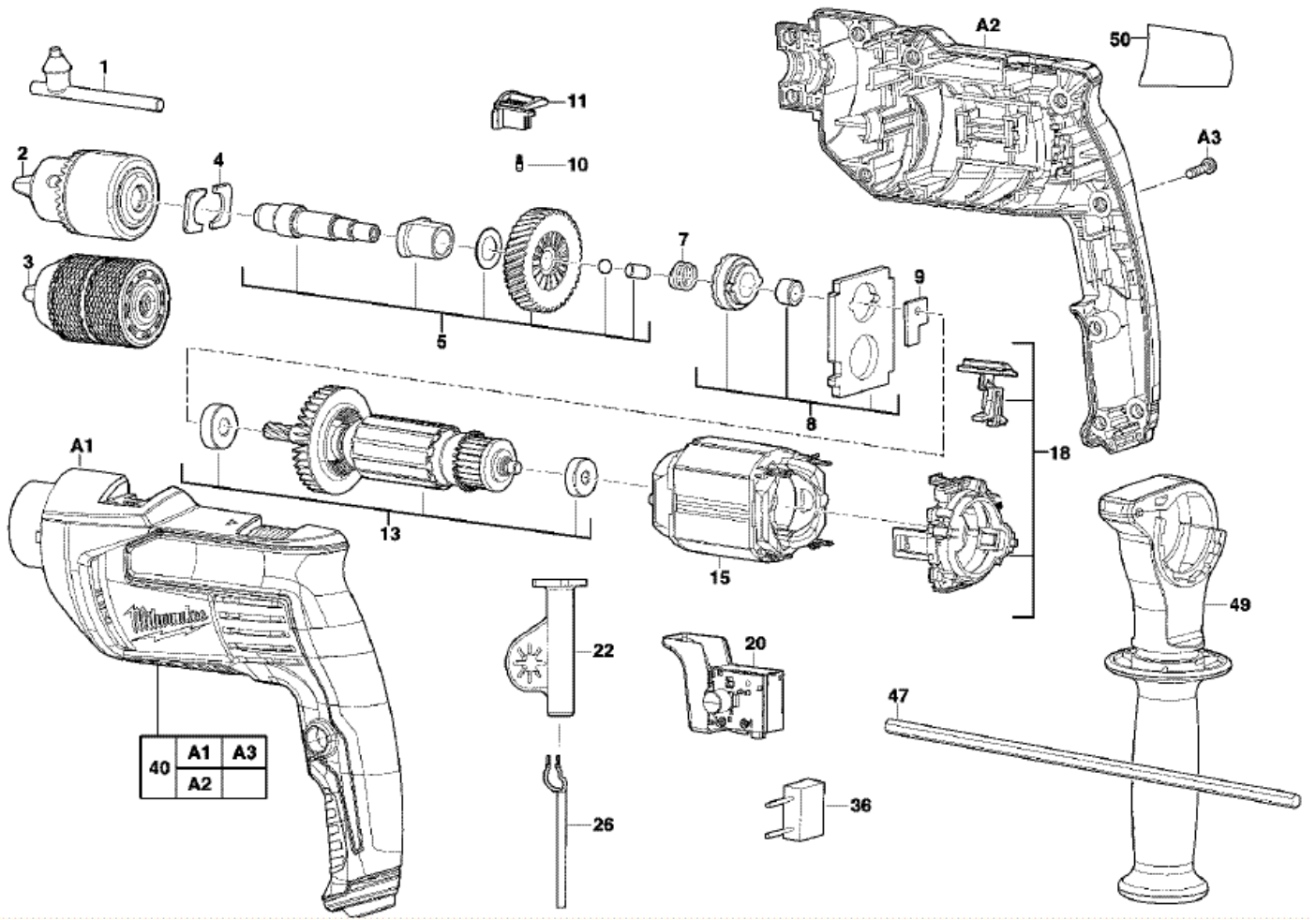


PD705 PERCUSSION DRILL IN2

4933431955 - PD705 - 4000431956





Position	Quantity	Description	Part number	EAN
0001	1	KEY	672326001	4002395828555
0002	1	CHUCK	4931435505	4002395890347
0003	1	CHUCK	4931435506	4002395890354
0004	2	FELT	4931435507	4002395890361
0005	1	DRIVING SHAFT	4931435508	4002395890378
0007	1	THRUST COLLAR	4931435509	4002395890385
0008	1	BASE PLATE	4931435510	4002395890392
0009	1	STAMP	4931435511	4002395891009
0010	1	CAP	4931435512	4002395891016
0011	1	LEVER	4931435513	4002395891023
0013	1	ARMATURE	4931435514	4002395891030
0015	1	ELECTRIC FIELD	4931435515	4002395891047
0018	1	RING	4931435516	4002395891054
0020	1	SWITCH	4931435517	4002395891061
0022	1	CABLE CLAMP	562023001	4002395854929
0026	1	CONNECTION CABLE	4931435518	4002395891078
0036	1	CAPACITOR	4931435520	4002395891092
0040	1	HOUSING	4931435521	4002395891702
0047	1	REBATE DEPTH GAUGE	4931435522	4002395891719
0049	1	AUXILIARY HANDLE	4931435523	4002395891726
0050	1	RATING PLATE	4931435524	4002395891733